

CEILINGVIEW™

CEILING-MOUNTED VISUALIZER

The Vaddio CeilingVIEW Visualizer is a complete ceiling-mounted visualizer system. Equipped with a high-resolution 680,000 pixel color CCD camera with a 25X optical zoom lens (12X digital) with auto-focus. The image is amazing. The camera has complete VISCA camera control capabilities that allow it to be controlled by any control system or video codec that uses the VISCA control code. Other features include a laser light locator for document positioning, six preset zoom buttons for switching between different paper sizes, image freeze and reverse image display. The camera housing is a metal plenum rated enclosure with ceiling tile supports. CeilingVIEW uses Vaddio's EZCamera™ Cabling System which allows the installer to use Cat. 5 cabling to run power, video and camera control.



WHAT'S INCLUDED

The Vaddio CeilingVIEW includes the following items:

- CeilingVIEW high-resolution camera with 25X zoom
- Laser light locator for document positioning
- IR remote control
- Plenum rated enclosure with ceiling tile supports
- EZCamera Cabling System interface
- 50 feet of Cat. 5 cable with RJ-45 jacks
- Vaddio's PowerRite™ Power Supply
- 12'/3.66m S-Video cable
- 12'/3.66m composite video cable
- EZCamera Quick-Connect Box

TECHNICAL FEATURES

High-Resolution Camera

A 680,000 pixel color CCD camera with 25X optical zoom lens (12X digital) with auto-focus, auto-iris, and image stabilizer.

Laser Light Locator

Unique laser light shows user where to position a document by putting a red laser dot in the center of the image. Laser light is adjustable and can be controlled to work in momentary or ON mode.

VISCA Camera Control

Industry standard camera control protocol that allows camera to be controlled by any control system that supports the VISCA command code. CeilingVIEW can also be supported by any VISCA compatible video codec as a near/far end camera. This allows the operator the ability to do "zoom features" and control six presets.

IR Remote Control

Hand-held remote control allows user to control: zoom, six zoom presets, laser pointer, brightness, white balance, black and white, positive/negative, mirror, and auto or manual focus.

TECHNICAL FEATURES CONTINUED

Other IR Remote Control Options

The CeilingVIEW Camera can be field programmed to work with videoconferencing systems remote controls, including: Polycom's® Viewstation™, FX, 4000, and 900 Series and Tandberg® videoconferencing systems. A user adjustable DIP switch is located on the front of the CeilingVIEW.

Easy Ceiling Install

The camera is ready to mount in the ceiling with its plenum rated enclosure and ceiling tile support system. A trim ring provides for a "clean look" install.

EZCamera Cabling System

Allows installer to use Cat. 5 cable to run power, video and camera control. Video Balun technology is used to extend the range of the video signal and to allow it to work on Cat. 5 cable. The Vaddio PowerRite Camera Power System includes a high output power supply and a power regulator to maintain the right voltage over Cat. 5 cable. An EZCamera interface and converter is built into the CeilingVIEW camera. The first RJ-45 jack provides power and video, the second RJ-45 jack provides camera control signaling.

EZCamera Quick-Connect Box

This small interface box converts power, S-Video and composite video into a single Cat. 5 cable.

TECHNICAL SPECIFICATIONS

Image Sensor	1/6 Type Super HAD CCD
Effective Pixels	Approximately 680,000 Pixels
Lens	25X Zoom: f=2.4mm (wide) to 60mm (tele); F1.6 to F2.7
Digital Zoom	12X (300X Optical Zoom)
Horizontal Angle of View	45 Degrees (wide end) to 2.0 Degrees (tele end)
Minimum Working Distance	35mm (wide end) to 800m (tele end)
Sync System	Internal/External (V-Lock)
Min Illumination	2.5lx (typical) (50 IRE)
S/N Ratio	49dB
Electronic Shutter	1/1 to 1/10,000 s; 22 Steps
White Balance	Auto. ATW, Indoor, One-Push, Manual
Gain AE Control	Auto/Manual (-3 to 28dB, 2dB Steps) Auto, Manual, Priority Mode, Bright, EV Compensation, Black Light Compensation
EV Compensation	-10.5 to +10.5dB (1.5dB Steps)
Back Light Compensation	On/Off
Flicker Cancel	Auto
Focusing System	Auto (Sensitivity: Normal, Low); One -Push AF, Manual, Infinity, Interval AF, Zoom Trigger AF
Picture Effect	E-Flip, Neg Art, Black & White, Mirror Image
Camera Operation Switch	Zoom tele; Zoom wide
Video Output	S-Video and Composite; NTSC and PAL
Camera Control I/F	VISCA (TTL Signal Level; Baud Rate: 9.6Kb/s, 19.2Kb/s; Stop Bit: 1/2 Selectable)
Operating Temperature	32° F to 122° F (0° C to 50° C)
Power Supply	3.3 Amps/15 VDC
Back Box Dimensions	Depth 6 1/4" Width 6 1/4" Height 4"
Weight	3lbs6oz/1.53kg

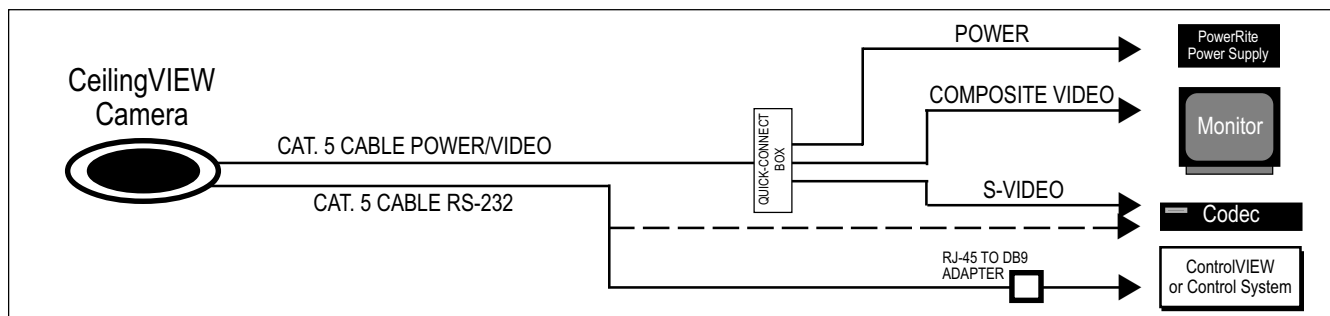


Figure 1 – CeilingVIEW camera with EZCamera Cable System.

vaddio

4800 Quebec Avenue North • Minneapolis, MN 55428
Toll Free: 800.787.8078 • Phone: 763.537.3601 • Fax: 763.537.2852
www.vaddio.com